

## Rod eye SGS

Dimensions in mm.

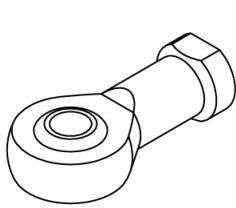
**Material:** Galvanized steel



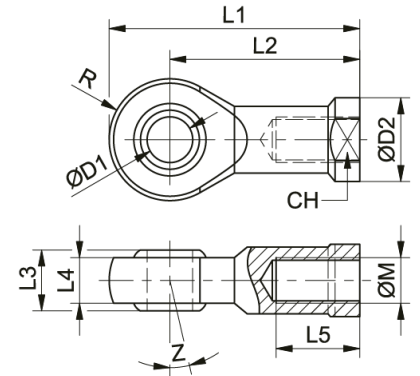
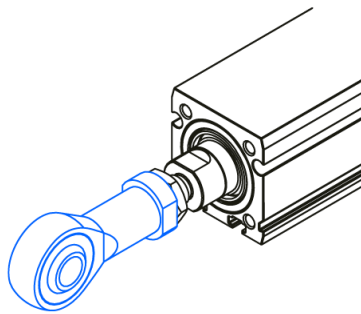
## General Data

Designation	Description	Compatible with	Material	Fmax (N)	Mass (kg)
SGS 25 - 9215	SGS 25	MCE 25	Galvanized steel	F MCE	0.03
SGS 32 - 9216	SGS 32	MCE 32	Galvanized steel	F MCE	0.05
SGS 45 - 9206	SGS 45	MCE 45	Galvanized steel	F MCE	0.08

## Dimensions



Simple support



Designation	M	L1	L2	L3	L4	L5	D1	D2	R
SGS 25 - 9215	M6	40	30	9	6.75	12	6 (H7)	13	10
SGS 32 - 9216	M8	48	36	12	9	16	8 (H7)	16	12
SGS 45 - 9206	M10 × 1.25	57	43	14	10.5	20	10 (H7)	19	14

Designation	CH	Z
SGS 25 - 9215	11	13°
SGS 32 - 9216	14	14°
SGS 45 - 9206	17	13°