

## LZ

Set contains 2 pcs.

Dimensions in mm.

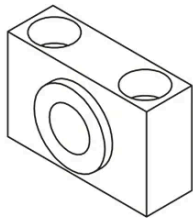
**Material:** Galvanized steel



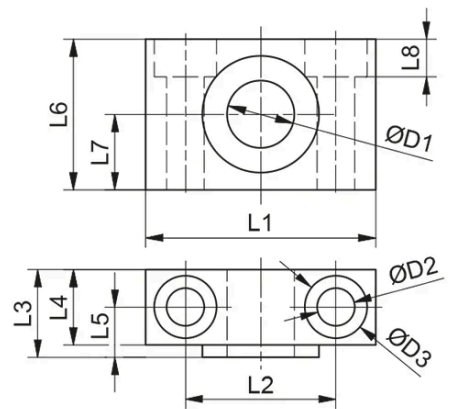
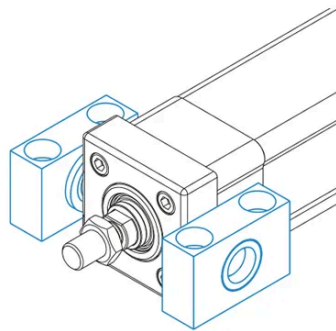
## General Data

Designation	Description	Compatible with	Fmax (N)	Mass (kg)
LZ 32 - 8139	LZ 32	PNCE 32	F PNCE	0.1
LZ 40 - 8141	LZ 40	PNCE 40	F PNCE	0.15
LZ 50 - 8141	LZ 50	PNCE 50	9200	0.15
LZ 63 - 8143	LZ 63	PNCE 63	12800	0.25
LZ 80 - 8143	LZ 80	PNCE 80	12800	0.25
LZ 100 - 8135	LZ 100	PNCE 100	20000	0.4

## Dimensions



SIMPLE SUPPORT



Designation	L1	L2	L3	L4	L5	L6	L7	L8	D1
LZ 32 - 8139	46	32 (±0.2)	18	15	10.5	30	15 (±0.1)	7 (±0.5)	12 (F7)
LZ 40 - 8141	55	36 (±0.2)	21	18	12	36	18 (±0.1)	9 (±0.5)	16 (F7)
LZ 50 - 8141	55	36 (±0.2)	21	18	12	36	18 (±0.1)	9 (±0.5)	16 (F7)
LZ 63 - 8143	65	42 (±0.2)	23	20	13	40	20 (±0.1)	11 (±0.5)	20 (F7)
LZ 80 - 8143	65	42 (±0.2)	23	20	13	40	20 (±0.1)	11 (±0.5)	20 (F7)
LZ 100 - 8135	75	50 (±0.2)	28.5	25	16	50	25 (±0.1)	13 (±0.5)	25 (F7)

Designation	D2	D3
LZ 32 - 8139	Ø 6.6 (H13)	Ø 11 (H13)
LZ 40 - 8141	Ø 9 (H13)	Ø 15 (H13)
LZ 50 - 8141	Ø 9 (H13)	Ø 15 (H13)
LZ 63 - 8143	Ø 11 (H13)	Ø 18 (H13)
LZ 80 - 8143	Ø 11 (H13)	Ø 18 (H13)
LZ 100 - 8135	Ø 14 (H13)	Ø 20 (H13)