

HGLL

Dimensions in mm.

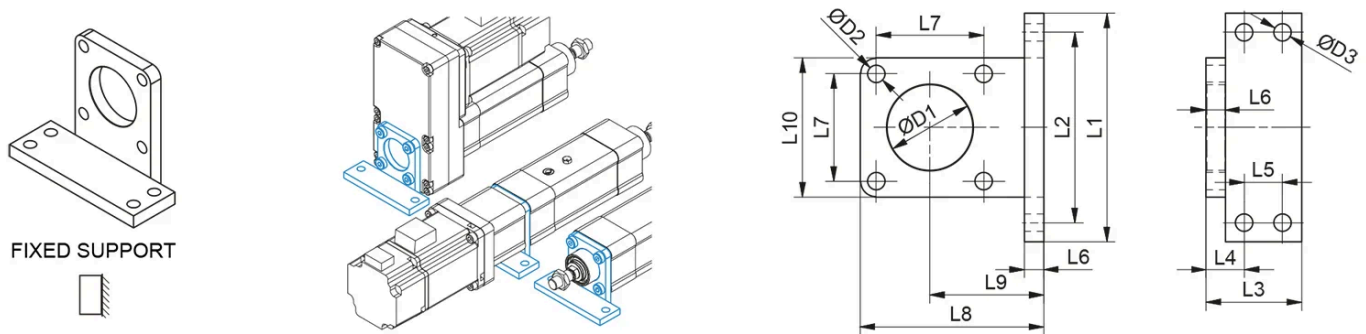
Material: Galvanized steel



General Data

Designation	Description	Compatible with	Type	Fmax (N)	Mass (kg)
HGLL 32 - 69429	HGLL 32	PNCE 32	Front cap / Motor adapter mounting	F PNCE	0.21
HGLL 32 MSD - 69617	HGLL 32 MSD	PNCE 32	Motor side drive type T1 mounting	F PNCE	0.21
HGLL 40 - 69166	HGLL 40	PNCE 40	Front cap / Motor adapter mounting	2800	0.26
HGLL 40 MSD - 69618	HGLL 40 MSD	PNCE 40	Motor side drive type T1 mounting	2800	0.26
HGLL 50 - 69167	HGLL 50	PNCE 50	Front cap / Motor adapter mounting	7100	0.64
HGLL 50 MSD - 69619	HGLL 50 MSD	PNCE 50	Motor side drive type T1 mounting	7100	0.64
HGLL 63 - 69168	HGLL 63	PNCE 63	Front cap / Motor adapter mounting	10100	0.87
HGLL 63 MSD - 69620	HGLL 63 MSD	PNCE 63	Motor side drive type T1 mounting	10100	0.87
HGLL 80 - 77284	HGLL 80	PNCE 80	-	13200	1.71
HGLL 100 - 78955	HGLL 100	PNCE 100	-	F PNCE	2.57

Dimensions



Designation	L1	L2	L3	L4	L5	L6	L7	L8	L9
HGLL 32 - 69429	79	65	30	16	-	6 (±0.5)	32.5	58.5	35 (±0.1)
HGLL 32 MSD - 69617	79	65	30	16	-	6 (±0.5)	32.5	58.5	35 (±0.1)
HGLL 40 - 69166	90	75	30	16	-	6 (±0.5)	38	72	45 (±0.1)
HGLL 40 MSD - 69618	90	75	30	16	-	6 (±0.5)	38	72	45 (±0.1)
HGLL 50 - 69167	110	90	35	19	-	10 (±0.5)	46.5	92.5	60 (±0.1)
HGLL 50 MSD - 69619	110	90	35	19	-	10 (±0.5)	46.5	92.5	60 (±0.1)
HGLL 63 - 69168	120	100	50	20	20	10 (±0.5)	56.5	97.5	60 (±0.1)
HGLL 63 MSD - 69620	120	100	50	20	20	10 (±0.5)	56.5	97.5	60 (±0.1)
HGLL 80 - 77284	153	128	62	27	25	12 (±0.5)	72	128.5	82 (±0.1)
HGLL 100 - 78955	178	148	72	27	30	15 (±0.5)	89	137	82 (±0.1)

Designation	L10	L11	D1	D2	D3
HGLL 32 - 69429	47	6 (±0.5)	Ø 30 (H11)	Ø 7 (H13)	Ø 7 (H13)
HGLL 32 MSD - 69617	47	6 (±0.5)	Ø 30 (H11)	Ø 7 (H13)	Ø 7 (H13)
HGLL 40 - 69166	54	6 (±0.5)	Ø 35 (H11)	Ø 7 (H13)	Ø 9 (H13)
HGLL 40 MSD - 69618	54	6 (±0.5)	Ø 35 (H11)	Ø 7 (H13)	Ø 9 (H13)
HGLL 50 - 69167	65	10 (±0.5)	Ø 40 (H11)	Ø 9 (H13)	Ø 9 (H13)
HGLL 50 MSD - 69619	65	10 (±0.5)	Ø 40 (H11)	Ø 9 (H13)	Ø 9 (H13)
HGLL 63 - 69168	75	10 (±0.5)	Ø 45 (H11)	Ø 9 (H13)	Ø 9 (H13)

Designation	L10	L11	D1	D2	D3
HGLL 63 MSD - 69620	75	10 (±0.5)	Ø 45 (H11)	Ø 9 (H13)	Ø 9 (H13)
HGLL 80 - 77284	93	13 (±0.5)	Ø 60 (H11)	Ø 11 (H13)	Ø 11 (H13)
HGLL 100 - 78955	110	15 (±0.5)	Ø 70 (H11)	Ø 11 (H13)	Ø 11 (H13)