

HG

Dimensions in mm.

Material: Galvanized or stainless steel AISI 304

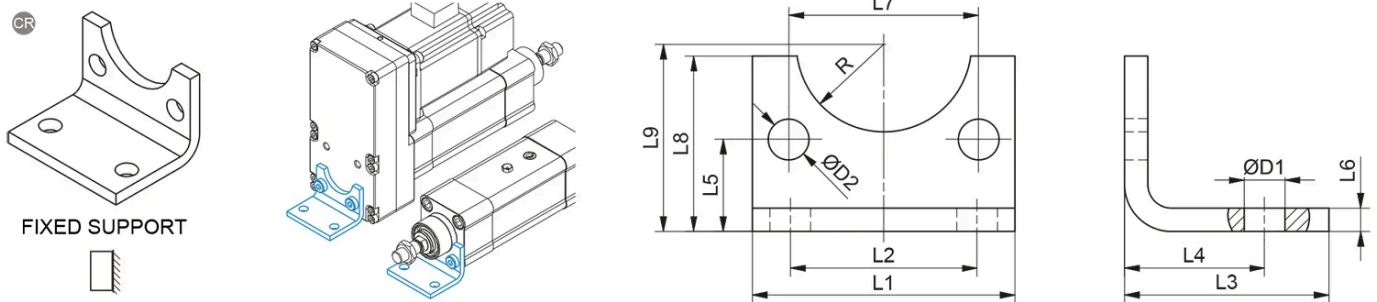


General Data

Designation	Description	Compatible with	Type	Material	Fmax (N)
HG 32 - 69601	HG 32	PNCE 32	Front cap mounting	Galvanized steel	F PNCE
HG 32 CR - 69605	HG 32 CR	PNCE 32	Front cap mounting	Stainless steel AISI 304	F PNCE
HG 32 MSD - 69597	HG 32 MSD	PNCE 32	Motor side drive type T1 mounting	Galvanized steel	F PNCE
HG 32 MSD CR - 69609	HG 32 MSD CR	PNCE 32	Motor side drive type T1 mounting	Stainless steel AISI 304	F PNCE
HG 40 - 69602	HG 40	PNCE 40	Front cap mounting	Galvanized steel	3500
HG 40 CR - 69606	HG 40 CR	PNCE 40	Front cap mounting	Stainless steel AISI 304	3500
HG 40 MSD - 69598	HG 40 MSD	PNCE 40	Motor side drive type T1 mounting	Galvanized steel	3500
HG 40 MSD CR - 69610	HG 40 MSD CR	PNCE 40	Motor side drive type T1 mounting	Stainless steel AISI 304	3500
HG 50 - 69603	HG 50	PNCE 50	Front cap mounting	Galvanized steel	5400
HG 50 CR - 69607	HG 50 CR	PNCE 50	Front cap mounting	Stainless steel AISI 304	5400
HG 50 MSD - 69599	HG 50 MSD	PNCE 50	Motor side drive type T1 mounting	Galvanized steel	5400
HG 50 MSD CR - 69611	HG 50 MSD CR	PNCE 50	Motor side drive type T1 mounting	Stainless steel AISI 304	5400
HG 63 - 69604	HG 63	PNCE 63	Front cap mounting	Galvanized steel	6200
HG 63 CR - 69608	HG 63 CR	PNCE 63	Front cap mounting	Stainless steel AISI 304	6200
HG 63 MSD - 69600	HG 63 MSD	PNCE 63	Motor side drive type T1 mounting	Galvanized steel	6200
HG 63 MSD CR - 69612	HG 63 MSD CR	PNCE 63	Motor side drive type T1 mounting	Stainless steel AISI 304	6200

Designation	Mass (kg)
HG 32 - 69601	0.09
HG 32 CR - 69605	0.09
HG 32 MSD - 69597	0.09
HG 32 MSD CR - 69609	0.09
HG 40 - 69602	0.1
HG 40 CR - 69606	0.1
HG 40 MSD - 69598	0.1
HG 40 MSD CR - 69610	0.1
HG 50 - 69603	0.2
HG 50 CR - 69607	0.2
HG 50 MSD - 69599	0.2
HG 50 MSD CR - 69611	0.2
HG 63 - 69604	0.22
HG 63 CR - 69608	0.22
HG 63 MSD - 69600	0.22
HG 63 MSD CR - 69612	0.22

Dimensions



Designation	L1	L2	L3	L4	L5	L6	L7	L8	L9
HG 32 - 69601	45	32	35	24	15.75	4	32.5	30	32
HG 32 CR - 69605	45	32	35	24	15.75	4	32.5	30	32
HG 32 MSD - 69597	45	32	35	24	15.75	4	32.5	30	32
HG 32 MSD CR - 69609	45	32	35	24	15.75	4	32.5	30	32
HG 40 - 69602	52	36	36	28	17	4	38	30	36
HG 40 CR - 69606	52	36	36	28	17	4	38	30	36
HG 40 MSD - 69598	52	36	36	28	17	4	38	30	36
HG 40 MSD CR - 69610	52	36	36	28	17	4	38	30	36
HG 50 - 69603	65	45	47	32	21.75	5	46.5	36	45
HG 50 CR - 69607	65	45	47	32	21.75	5	46.5	36	45
HG 50 MSD - 69599	65	45	47	32	21.75	5	46.5	36	45
HG 50 MSD CR - 69611	65	45	47	32	21.75	5	46.5	36	45
HG 63 - 69604	75	50	45	32	21.75	5	56.5	35	50
HG 63 CR - 69608	75	50	45	32	21.75	5	56.5	35	50
HG 63 MSD - 69600	75	50	45	32	21.75	5	56.5	35	50
HG 63 MSD CR - 69612	75	50	45	32	21.75	5	56.5	35	50

Designation	D1	D2	R
HG 32 - 69601	Ø 7	Ø 7	15
HG 32 CR - 69605	Ø 7	Ø 7	15
HG 32 MSD - 69597	Ø 7	Ø 7	15
HG 32 MSD CR - 69609	Ø 7	Ø 7	15
HG 40 - 69602	Ø 10	Ø 7	17.5
HG 40 CR - 69606	Ø 10	Ø 7	17.5
HG 40 MSD - 69598	Ø 10	Ø 7	17.5
HG 40 MSD CR - 69610	Ø 10	Ø 7	17.5
HG 50 - 69603	Ø 10	Ø 9	20
HG 50 CR - 69607	Ø 10	Ø 9	20
HG 50 MSD - 69599	Ø 10	Ø 9	20
HG 50 MSD CR - 69611	Ø 10	Ø 9	20
HG 63 - 69604	Ø 10	Ø 9	22.5
HG 63 CR - 69608	Ø 10	Ø 9	22.5
HG 63 MSD - 69600	Ø 10	Ø 9	22.5

Designation	D1	D2	R
HG 63 MSD CR - 69612	Ø 10	Ø 9	22.5