

Synchronisation Shaft OSR

For longer distances bearing supports needed, please contact Rollco.

Installation:

The overall length L_t is best determined as the distance between shaft ends - length L_w plus 2x dimension H .

For CAD-files contact Rollco.

Dimensions in mm.

Explanations to the table below:

M_s = Screw tightening torque (Nm)

M_T = Maximum transmissible torque (Nm)

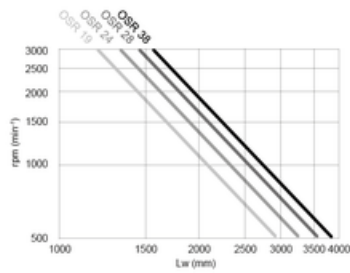
CT = Torsional rigidity per meter (Nm/rad)



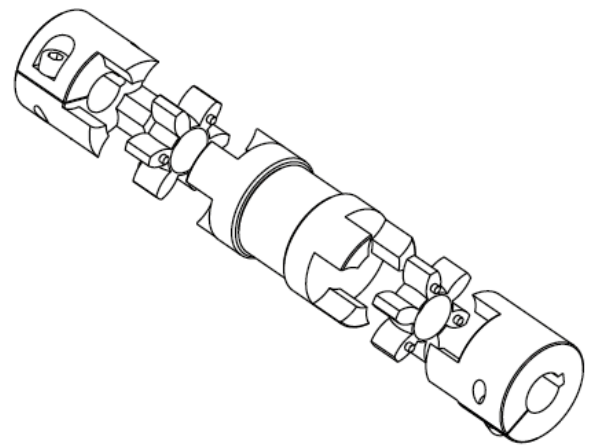
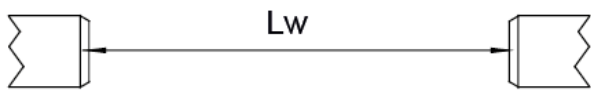
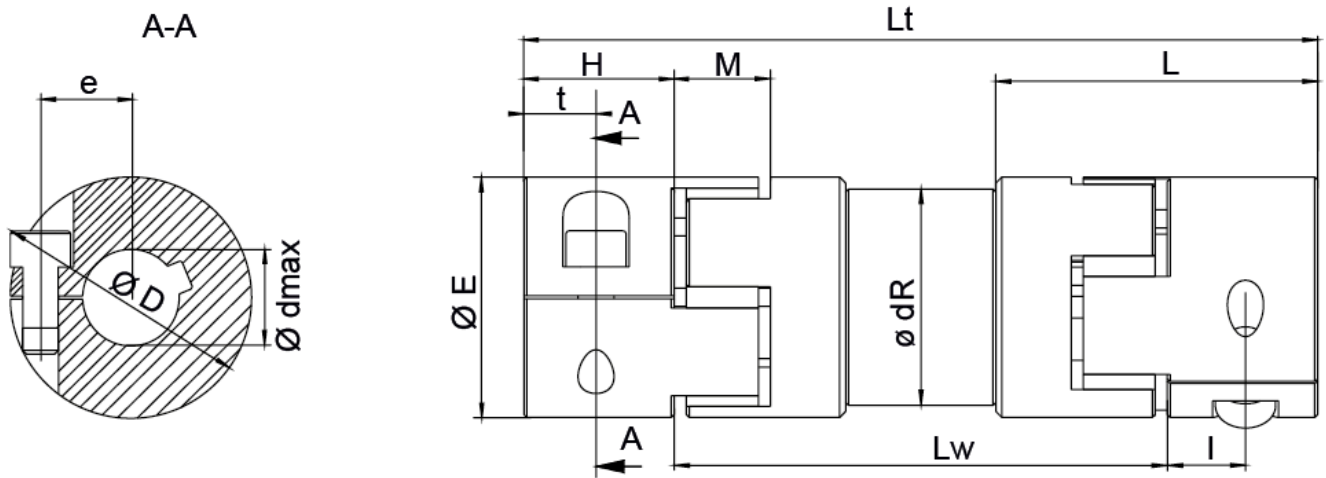
Selection diagram

Ideal execution for long distance shaft connections. Torque transmission is zero backlash. Designed for lengths up to 4m without bearing support (depending on rotation speed).

Standard lengths available up to 3m. For longer lengths, please contact us.



General Data



Designation	CT (Nm/rad)	D	E	e	H
OSR-19	1630	47	40	15	25
OSR-24	3980	57	55	20.8	30
OSR-28	7494	73	65	25	35
OSR-38	14540	84	80	30	45

Designation	I	L	M	t	Weight (kg)	Ms (Nm)
OSR-19	13	53.5	16	12	$0.30 + 0.00058 \times L_w$	10

Designation	l	L	M	t	Weight (kg)	Ms (Nm)
OSR-24	16	63	18	14	$0.62 + 0.00091 \times Lw$	10
OSR-28	20	67	20	15	$0.98 + 0.00112 \times Lw$	25
OSR-38	25	83.5	24	20	$1.75 + 0.00140 \times Lw$	25

Designation	MT (Nm)	ød min.	ød max.	Lw min.	Lt	dR
OSR-19	39	10	20	82	On request	36
OSR-24	53	10	28	96	On request	45
OSR-28	137	14	35	110	On request	55
OSR-38	180	15	45	138	On request	68

Designation	Moment of inertia ($10^{-6} \text{kg} \cdot \text{m}^2$)
OSR-19	$66.0 + 0.1679 \times Lw$
OSR-24	$242 + 0.4099 \times Lw$
OSR-28	$572 + 0.7717 \times Lw$
OSR-38	$1522 + 1.4975 \times Lw$