

IP---.0800

- Higher wear resistance
- Fine grained structure
- Easy to weld

Versions of delivery:

Standard IP---.0800

Fine straightened style $\pm 0,3$ mm/m IP---.0801

Sandblasted IP---.0802

Sandblasted + fine straightened style IP---.0803

Ordering example: IP 070.0800-2800 (I-Profile with inside measurement 70 mm, length 2800 mm)

Dimensions in mm.

Material: Material 18MnNb 6 with plenty more load capacity by add-on of Niob (Nb)

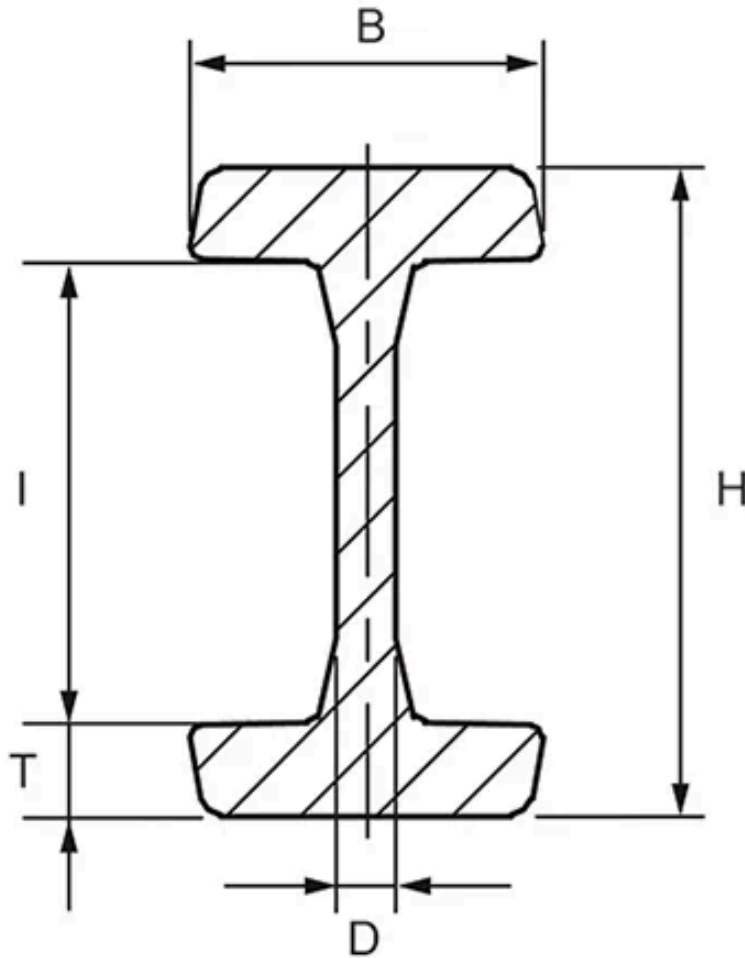
Sizes Available: 60; 70; 80; 90; 110; 120



General Data

| Designation | Weight (kg/m) |
|-------------|---------------|
| IP060.0800 | 21.00 |
| IP070.0800 | 19.40 |
| IP080.0800 | 25.30 |
| IP090.0800 | 34.00 |
| IP110.0800 | 40.80 |
| IP120.0800 | 51.50 |

Dimensions



| Designation | B | D | H | I | T |
|-------------|----------|---------|----------|------------|-----------|
| IP060.0800 | 72 ±1 | 14 ±0.5 | 86.5 | 62.7 +0.8 | 12 ±0.5 |
| IP070.0800 | 65 ±1 | 9 ±0.5 | 98 | 70 +1 | 14 ±0.5 |
| IP080.0800 | 66 ±1 | 11 ±0.5 | 113.9 | 77.9 +1 | 18 ±0.5 |
| IP090.0800 | 81 ±1.25 | 12 ±0.5 | 129.6 | 88.6 +1 | 20.5 ±0.5 |
| IP110.0800 | 83 ±1 | 14 ±0.5 | 152.4 | 108.4 ±0.5 | 22 ±0.5 |
| IP120.0800 | 90 ±1.3 | 15 ±0.5 | 175 ±0.5 | 123.8 ±0.5 | 25.6 ±0.5 |