

MKS Clamping Element

Pneumatic clamping element, designed to be used for holding a position when using linear rail guides. Energize to open (NC).

Compatible with Linear Rail HRC/ARC/ERC only.

The holding forces may be in-creased by means of a PLUS connection, provided that this is listed under the technical data, by using the pneumatic pressure support of the spring accumulator.

Because of the height difference of different rail guide blocks and to ensure the proper function of the MKS Clamping Elements, the use of adapter plates is sometimes needed. See document "Selection of Clamping Elements" for individual block types and whether an adapter plate is needed.

Dimensions in mm.

More types are available, contact Rollco for further information.

Temperature range (°C): From -10 to 70°C

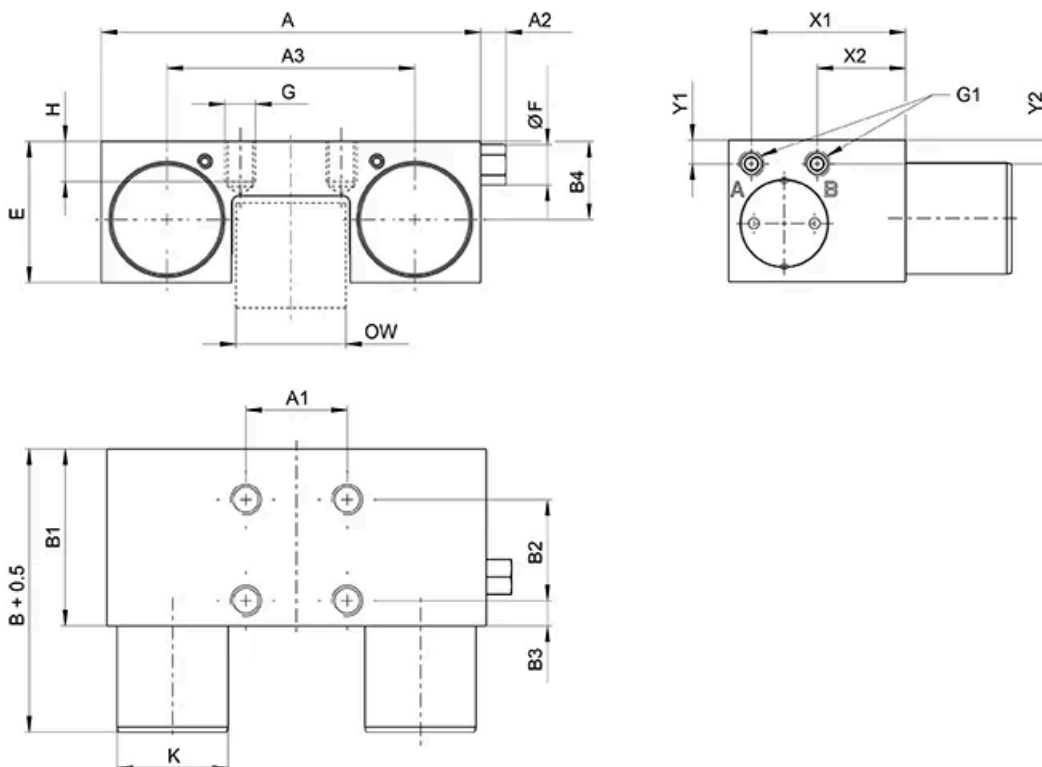


General Data

Designation	Compatible with	Fixing force (N)	Min. operating pressure (bar)	Max. Operating Pressure (bar)	Installation way
MKS1514D	HRC15, HRU15	400	5.5	6.5	from the front
MKS2014D	HRC20, HRU20	400	5.5	6.5	from above
MKS2514D	HRC25, HRU25	750	5.5	6.5	from above
MKS3005A	HRC30, HRU30	1050	5.5	6.5	from above
MKS3514D	HRC35, HRU35	1250	5.5	6.5	from above
MKS4514D	HRC45, HRU45	1450	5.5	6.5	from above

Designation	PLUS-connection	Weight (kg)
MKS1514D	possible	0.26
MKS2014D	possible	0.36
MKS2514D	possible	0.40
MKS3005A	possible	0.66
MKS3514D	possible	0.81
MKS4514D	possible	1.50

Dimensions



Designation	OW	A	E	A1	A2	A3	B	B1	B2
MKS1514D	13	55	21.5	15	5	34	58	39	15
MKS2014D	16.75	66	24.5	20	6	39	61	39	20
MKS2514D	19.75	75	28	20	5	49	56	35	20
MKS3005A	24.6	90	35	22	5	58	68	39	22

Designation	OW	A	E	A1	A2	A3	B	B1	B2
MKS3514D	31.8	100	36.5	24	5	68	67	39	24
MKS4514D	42	120	43.5	26	5	78.8	82	49	26

Designation	B3	B4	G	H	F	G1 (air connection)	X1 (air filter horizontal / mm)	Y1 (air filter vertical / mm)	X2 (air connection horizontal / mm)	Y2 (air connection vertical / mm)
MKS1514D	15.5	12	M4	4.5	8	M5	34	17	34	5.9
MKS2014D	10	13.4	M5	4.2	8	M5	35	21	34	5.2
MKS2514D	5	15.5	M6	8	8	M5	30.5	4.7	17.5	4.7
MKS3005A	8.5	20.5	M8	7	8	M5	24.5	5.2	14.5	5.2
MKS3514D	7.5	20.5	M8	10	8	M5	20	5.2	9	5.2
MKS4514D	11.5	26.8	M10	15	8	M5	29.5	11	19.5	11

Designation	K
MKS1514D	16
MKS2014D	20
MKS2514D	22
MKS3005A	25
MKS3514D	28
MKS4514D	30