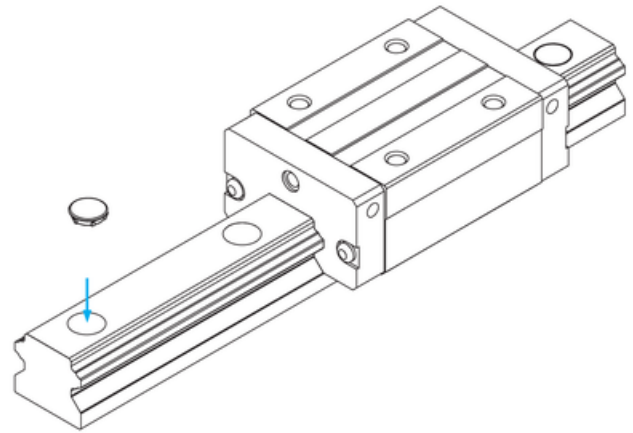


Plastic Hole Cap

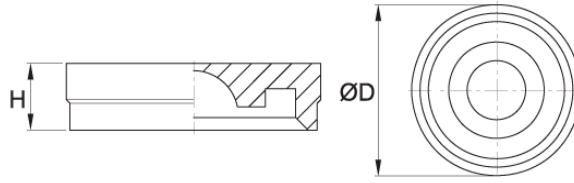
Contaminants invade into the bolt holes of the rail and pollute the inside of the bearing. You can use hole caps made from hardened rubber to fill the holes. RC caps are provided with the rails.

Dimensions in mm.

Note! Only for SBI rails.



Dimensions



Designation	Compatible with	H	D
SBI15 Hole cap	SBI 15	1.3 (±0.1)	7.6 (±0.1)
SBI20 Hole cap	SBI 20	3.5 (±0.1)	9.6 (±0.1)
SBI25 Hole cap	SBI 25	2.8 (±0.1)	11.1 (±0.1)
SBI30 Hole cap	SBI 30, 35	3.7 (±0.1)	14.2 (±0.1)
SBI45 Hole cap	SBI 45	4.7 (±0.1)	20.2 (±0.1)
SBI55 Hole cap	SBI 55	6 (±0.1)	23.2 (±0.1)
SBI65 Hole cap	SBI 65	6 (±0.1)	26.2 (±0.1)