

## Standard Rail SBI Raydent

Cut to length acc. to request.

Rails can be joint together for extra long lengths.

Contact Rollco for more information.

Note: If the maximum length exceeds this size please contact Rollco.

Blocks and rails are in Raydent treated material:

- Corrosion resistant
  - Patented black surface
  - Delivered with steel balls of standard bearing steel.
- Stainless steel balls are available on special request and for a few sizes only. Contact Rollco for more information.

Dimensions in mm.

For more information about recommended screw size, strength and tightening torque, see Linear Rail SBI Technical Information.

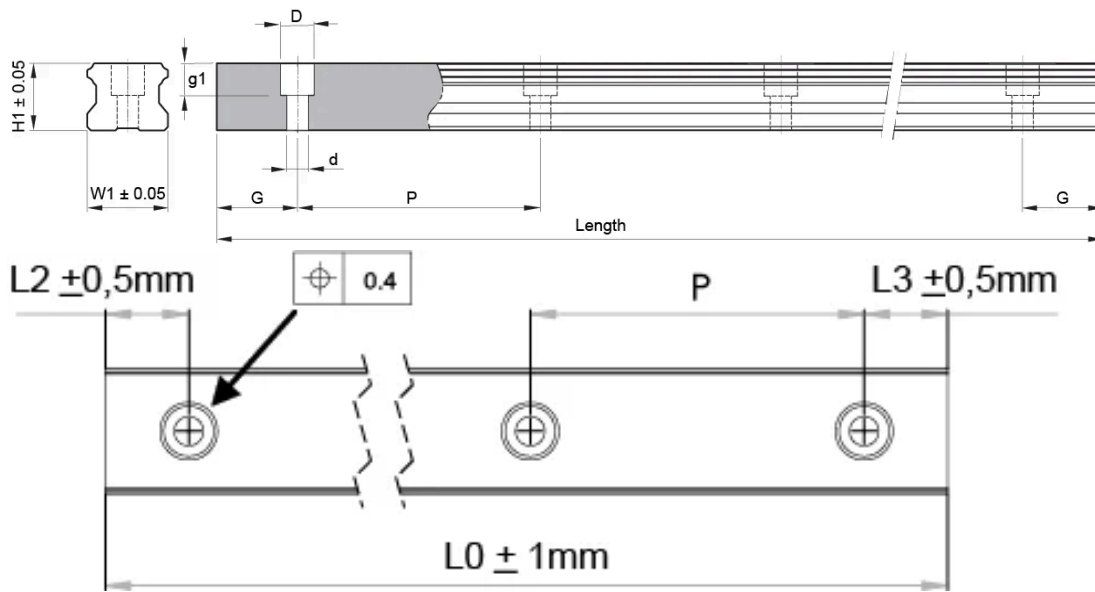
Note! Remember to choose Raydent under Surface Treatment when configuring your product.



## General Data

Designation	Weight Rail (g/m)	Recommended screw size
SBI15-R	1300	MC6S M4
SBI20-R	2200	MC6S M5
SBI25-R	3000	MC6S M6
SBI30-R	4250	MC6S M8
SBI35-R	6020	MC6S M8
SBI45-R	9770	MC6S M12
SBI55-R	13720	MC6S M14
SBI65-R	23170	MC6S M16

## Dimensions



Designation	W1	H1	D x d x g1	Hole Pitch (P)	G	Length
SBI15-R	15	13	7.5 x 4.5 x 5.5	60	20	3000
SBI20-R	20	16.5	9.5 x 6 x 8.5	60	20	4000
SBI25-R	23	20	11 x 7 x 9	60	20	4000
SBI30-R	28	23	14 x 9 x 12	80	20	4000
SBI35-R	34	26	14 x 9 x 12	80	20	4000
SBI45-R	45	32	20 x 14 x 17	105	22.5	4000
SBI55-R	53	38	23 x 16 x 20	120	30	4000
SBI65-R	63	53	26 x 18 x 22	150	35	4000