

SBI SL Raydent

Standard block without flange.
Side nipple, dustproof end seal and self-lubricant container
end seal as option.

* S: Bolt size for bottom mounting type of block

Blocks and rails are in Raydent treated material:

- Corrosion resistant
- Patented black surface
- Delivered with steel balls of standard bearing steel.

Stainless steel balls are available on special request and
for a few sizes only. Contact Rollco for more information.

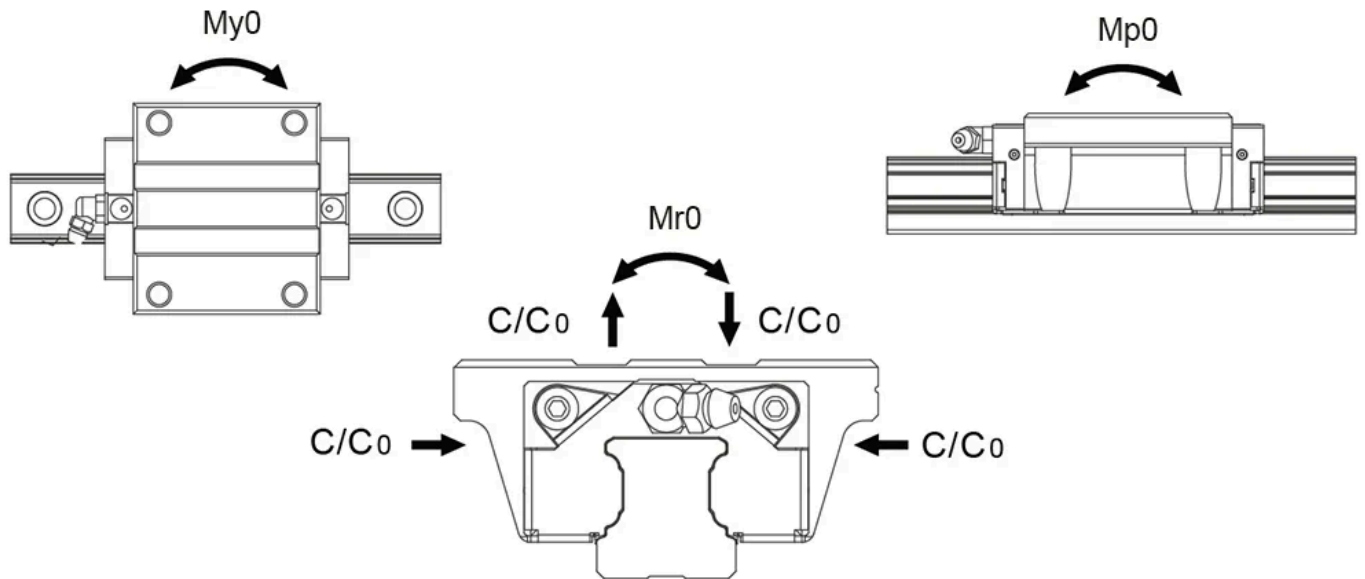
Dimensions in mm.

Lead times in the table below are only indications. Choice
of preload and other options will affect lead time. Please
contact us for exact delivery time for your request.

Note! Remember to choose Raydent under Surface
Treatment when configuring your product.



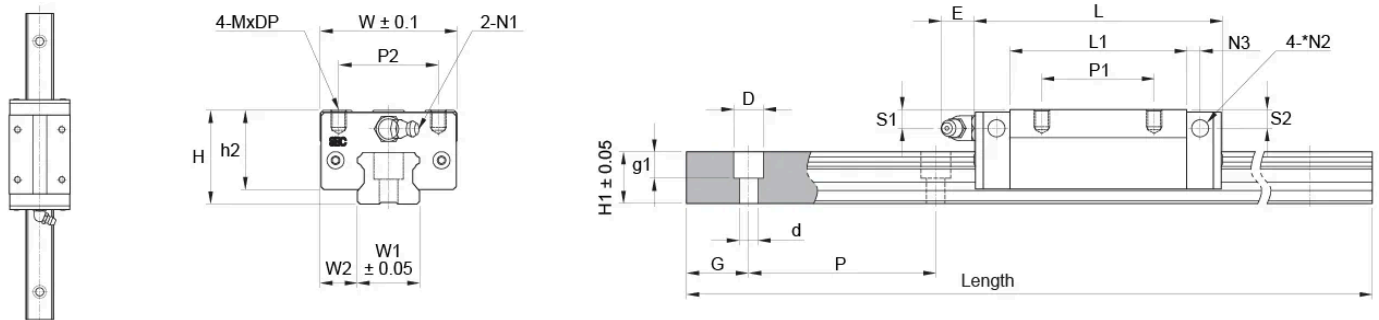
General Data



Designation	Dynamic Load Capacity C (N)	Static Load Capacity C0 (N)	Static Moment Mr0 (Nm)	Static Moment Mp0 (Nm)	Static Moment My0 (Nm)
SBI15SL-R	14100	24100	160	170	170
SBI20SL-R	22200	38200	360	330	330
SBI25SL-R	31500	52100	560	560	560
SBI30SL-R	42800	65400	850	770	770
SBI35SL-R	59500	89100	1420	1280	1280
SBI45SL-R	97200	116300	2480	1900	1900
SBI55SL-R	127300	181800	4810	2970	2970
SBI65SL-R	188300	261700	8240	5570	5570

Designation	Dynamic Moment Mr (Nm)	Dynamic Moment Mp (Nm)	Dynamic Moment My (Nm)	Weight Block (g)	Weight Rail (g/m)
SBI15SL-R	94	99	99	190	1300
SBI20SL-R	209	192	192	410	2200
SBI25SL-R	339	339	339	690	3000
SBI30SL-R	556	504	504	1040	4250
SBI35SL-R	948	855	855	1560	6020
SBI45SL-R	2073	1588	1588	2800	9770
SBI55SL-R	3368	2080	2080	4420	13720
SBI65SL-R	5929	4008	4008	9100	23170

Dimensions



Designation	L	H	W	W1	W2	L1	H1	h2	S1
SBI15SL-R	63.8	28	34	15	9.5	45.2	13	25	8.5
SBI20SL-R	78.8	30	44	20	12	56.8	16.5	25.4	6
SBI25SL-R	92	40	48	23	12.5	70	20	34.5	10
SBI30SL-R	107.6	45	60	28	16	79.6	23	38	11.5
SBI35SL-R	124.6	55	70	34	18	94.6	26	47.5	15
SBI45SL-R	142	70	86	45	20.5	108	32	61	20.5
SBI55SL-R	172.4	80	100	53	23.5	131	38	68	22
SBI65SL-R	219.8	90	126	63	31.5	170.4	53	71	14

Designation	S2	D x d x g1	Hole Pitch (P)	MxDP	N1	N2	N3	P1	P2	E
SBI15SL-R	7.8	7.5 x 4.5 x 5.5	60	M4x5	M4x0.7	Ø 3.5	3.8	26	26	5.5
SBI20SL-R	5.8	9.5 x 6 x 8.5	60	M5x5	M6x0.75	Ø 3.5	5	36	32	12
SBI25SL-R	9	11 x 7 x 9	60	M6x8	M6x0.75	Ø 3.5	5	35	35	12
SBI30SL-R	10.8	14 x 9 x 12	80	M8x10	M6x0.75	Ø 5.7	5	40	40	12
SBI35SL-R	15	14 x 9 x 12	80	M8x10	M6x0.75	Ø 5.7	6	50	50	12
SBI45SL-R	19.3	20 x 14 x 17	105	M10x13	PT1/8	Ø 5.7	6.5	60	60	13.5
SBI55SL-R	22	23 x 16 x 20	120	M12x18	PT1/8	Ø 8.7	8	75	75	13
SBI65SL-R	14	26 x 18 x 22	150	M16x16	PT1/8	Ø 8.7	10	70	76	13

Designation	G	P	Length
SBI15SL-R	20	60	3000
SBI20SL-R	20	60	4000
SBI25SL-R	20	60	4000
SBI30SL-R	20	80	4000
SBI35SL-R	20	80	4000
SBI45SL-R	22.5	105	4000
SBI55SL-R	30	120	4000
SBI65SL-R	35	150	4000