

RCS Clamping Element

Clamping elements are designed to be used for holding a position when using SBI Linear Rail Guides.

For other types contact Rollco.

Compatible with Linear Rail SBI only.

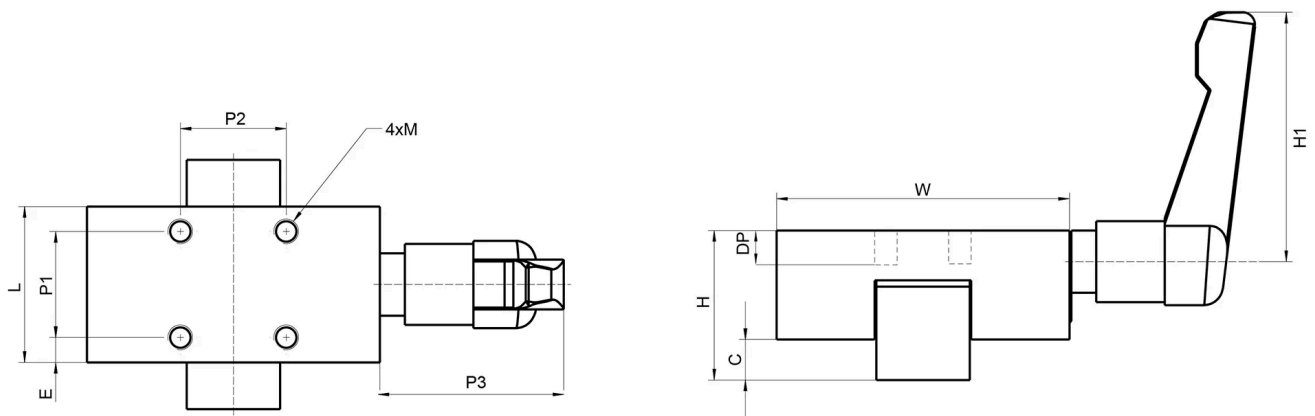
Dimensions in mm.



General Data

| Designation | Compatible with | Remark | Tightening Torque (Nm) | Clamping Force (N) |
|-------------|-----------------|---|------------------------|--------------------|
| RCS15 | SBI15, SBI15-B | Use Distance Plate RCP15-4 for SBI15SL | 5 | 1200 |
| RCS20 | SBI20, SBI20-B | Use Distance Plate RCP20-2 for SBI20FL, SBI20SL, SBI20FLL, SBI20SLL | 5 | 1200 |
| RCS25 | SBI25, SBI25-B | Use Distance Plate RCP25-4 for SBI25SL, SBI25SLL | 7 | 1200 |
| RCS30 | SBI30, SBI30-B | Use Distance Plate RCP30-3 for SBI30SL, SBI30SLL | 15 | 2000 |
| RCS35 | SBI35, SBI35-B | Use Distance Plate RCP35-7 for SBI35SL, SBI35SLL | 15 | 2000 |

Dimensions



| Designation | C | E | H | H1 | L | MxDP | P1 | P2 | P3 |
|-------------|-----|-----|----|----|----|-------|----|----|----|
| RCS15 | 6.5 | 4 | 24 | 45 | 25 | M4x6 | 17 | 17 | 41 |
| RCS20 | 7 | 4.5 | 30 | 45 | 24 | M5x6 | 15 | 15 | 41 |
| RCS25 | 7 | 5 | 36 | 64 | 30 | M6x8 | 20 | 20 | 52 |
| RCS30 | 9 | 8.5 | 42 | 64 | 39 | M6x14 | 22 | 22 | 52 |
| RCS35 | 13 | 7.5 | 48 | 83 | 39 | M8x14 | 24 | 24 | 67 |

| Designation | W |
|-------------|-----|
| RCS15 | 47 |
| RCS20 | 60 |
| RCS25 | 70 |
| RCS30 | 90 |
| RCS35 | 100 |