

SBI SL

Slim block without flange, normal height and standard length.

Side nipple, dustproof end seal and self-lubricant container end seal as option.

* S: Bolt size for bottom mounting type of block

All blocks and rails are also available in Raydent treated material:

- Corrosion resistant
- Patented black surface
- Delivered with steel balls of standard bearing steel.

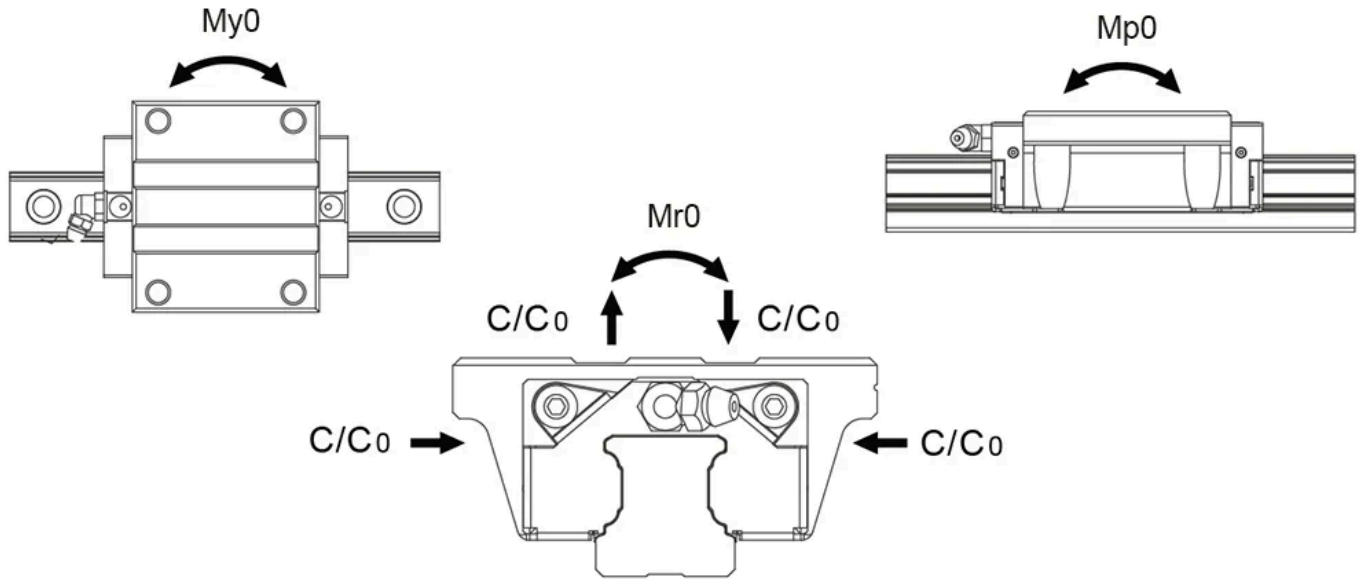
Stainless steel balls are available on special request and for a few sizes only. Contact Rollco for more information.

Dimensions in mm.

Lead times in the table below are only indications. Choice of preload and other options will affect lead time. Please contact us for exact delivery time for your request.



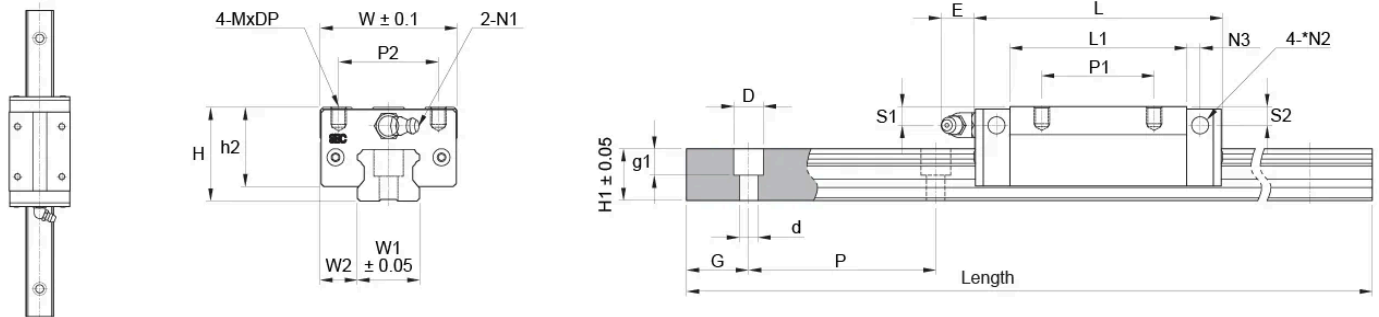
General Data



Designation	Dynamic Load Capacity C (N)	Static Load Capacity C0 (N)	Static Moment Mr0 (Nm)	Static Moment Mp0 (Nm)	Static Moment My0 (Nm)
SBI15SL	14100	24100	160	170	170
SBI20SL	22200	38200	360	330	330
SBI25SL	31500	52100	560	560	560
SBI30SL	42800	65400	850	770	770
SBI35SL	59500	89100	1420	1280	1280
SBI45SL	97200	116300	2480	1900	1900
SBI55SL	127300	181800	4810	2970	2970
SBI65SL	188300	261700	8240	5570	5570

Designation	Dynamic Moment Mr (Nm)	Dynamic Moment Mp (Nm)	Dynamic Moment My (Nm)	Weight Block (g)	Weight Rail (g/m)
SBI15SL	94	99	99	190	1300
SBI20SL	209	192	192	410	2200
SBI25SL	339	339	339	690	3000
SBI30SL	556	504	504	1040	4250
SBI35SL	948	855	855	1560	6020
SBI45SL	2073	1588	1588	2800	9770
SBI55SL	3368	2080	2080	4420	13720
SBI65SL	5929	4008	4008	9100	23170

Dimensions



Designation	L	H	W	W1	W2	L1	H1	h2	S1
SBI15SL	63.8	28	34	15	9.5	45.2	13	25	8.5
SBI20SL	78.8	30	44	20	12	56.8	16.5	25.4	6
SBI25SL	92	40	48	23	12.5	70	20	34.5	10
SBI30SL	107.6	45	60	28	16	79.6	23	38	11.5
SBI35SL	124.6	55	70	34	18	94.6	26	47.5	15
SBI45SL	142	70	86	45	20.5	108	32	61	20.5
SBI55SL	172.4	80	100	53	23.5	131	38	68	22
SBI65SL	219.8	90	126	63	31.5	170.4	53	71	14

Designation	S2	D x d x g1	Hole Pitch (P)	MxDP	N1	N2	N3	P1	P2	E
SBI15SL	7.8	7.5 x 4.5 x 5.5	60	M4x5	M4x0.7	Ø 3.5	3.8	26	26	5.5
SBI20SL	5.8	9.5 x 6 x 8.5	60	M5x5	M6x0.75	Ø 3.5	5	36	32	12
SBI25SL	9	11 x 7 x 9	60	M6x8	M6x0.75	Ø 3.5	5	35	35	12
SBI30SL	10.8	14 x 9 x 12	80	M8x10	M6x0.75	Ø 5.7	5	40	40	12
SBI35SL	15	14 x 9 x 12	80	M8x10	M6x0.75	Ø 5.7	6	50	50	12
SBI45SL	19.3	20 x 14 x 17	105	M10x13	PT1/8	Ø 5.7	6.5	60	60	13.5
SBI55SL	22	23 x 16 x 20	120	M12x18	PT1/8	Ø 8.7	8	75	75	13
SBI65SL	14	26 x 18 x 22	150	M16x16	PT1/8	Ø 8.7	10	70	76	13

Designation	G	P	Length
SBI15SL	20	60	3000
SBI20SL	20	60	4000
SBI25SL	20	60	4000
SBI30SL	20	80	4000
SBI35SL	20	80	4000
SBI45SL	22.5	105	4000
SBI55SL	30	120	4000
SBI65SL	35	150	4000