

## Standard MR-M Rail

Tapped from above.

Dimensions in mm.

Please note that blocks and rails are not sold separately for sizes 2 and 3. Due to the small dimensions, blocks and sliders must be assembled and matched carefully to ensure correct quality and tolerances.

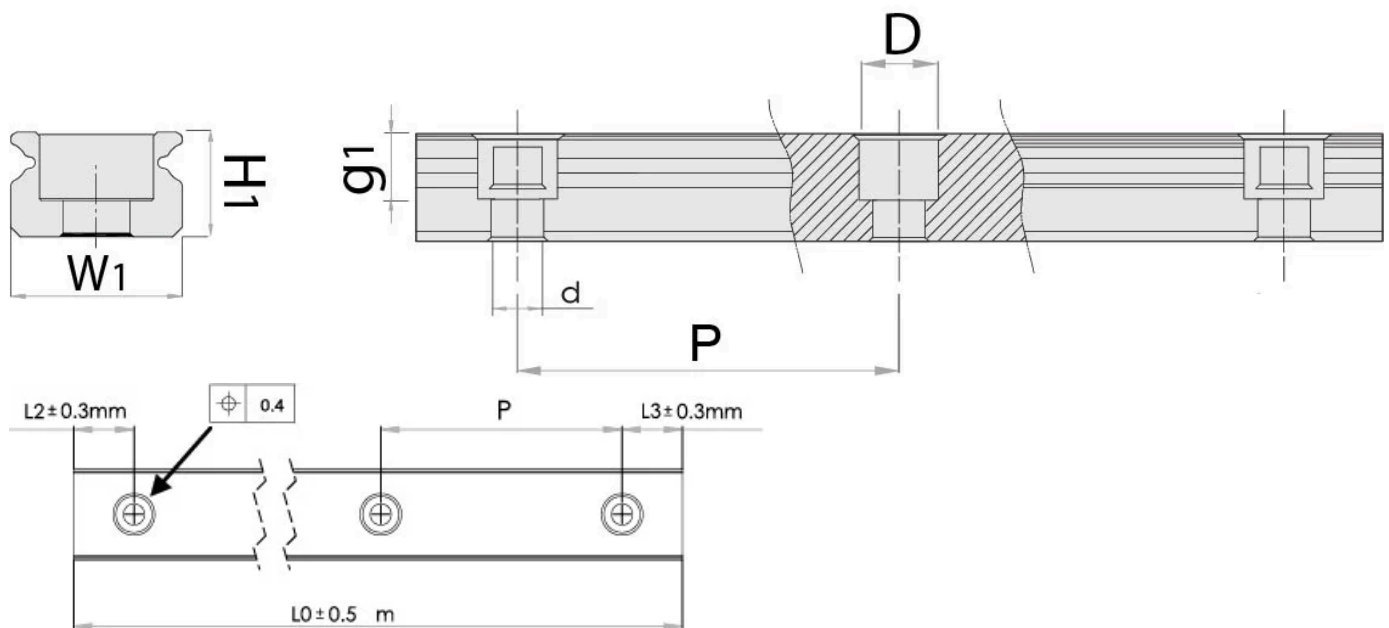
**Material:** Stainless steel



## General Data

Designation	Weight Rail (g/m)
MR5M	116
MR7M	215
MR9M	301
MR12M	602
MR15M	930

## Dimensions



Designation	H1	W1	D x d x g1	Hole Pitch (P)
MR5M	3.5	5	3.5 x 2.4 x 1	15
MR7M	4.7	7	4.2 x 2.4 x 2.3	15
MR9M	5.5	9	6 x 3.5 x 3.5	20
MR12M	7.5	12	6 x 3.5 x 4.5	25
MR15M	9.5	15	6 x 3.5 x 4.5	40