

MR-W SS Series

Wide rail type with end seal

This product is available in different preload and accuracy classes (see more in Technical Information). Please note that we do not have versions with all preload or accuracy classes on stock.

Dimensions in mm.

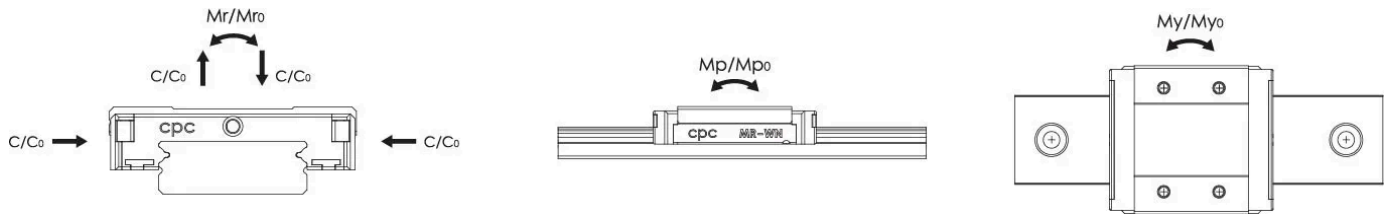
Please note that blocks and rails are not sold separately for sizes 2,3 and 5. Due to the small dimensions, blocks and sliders must be assembled and matched carefully to ensure correct quality and tolerances.

Lead times in the table below are only indications. Choice of preload, accuracy class and other options will affect lead time. Please contact us for exact delivery time for your request.

Material: Stainless steel



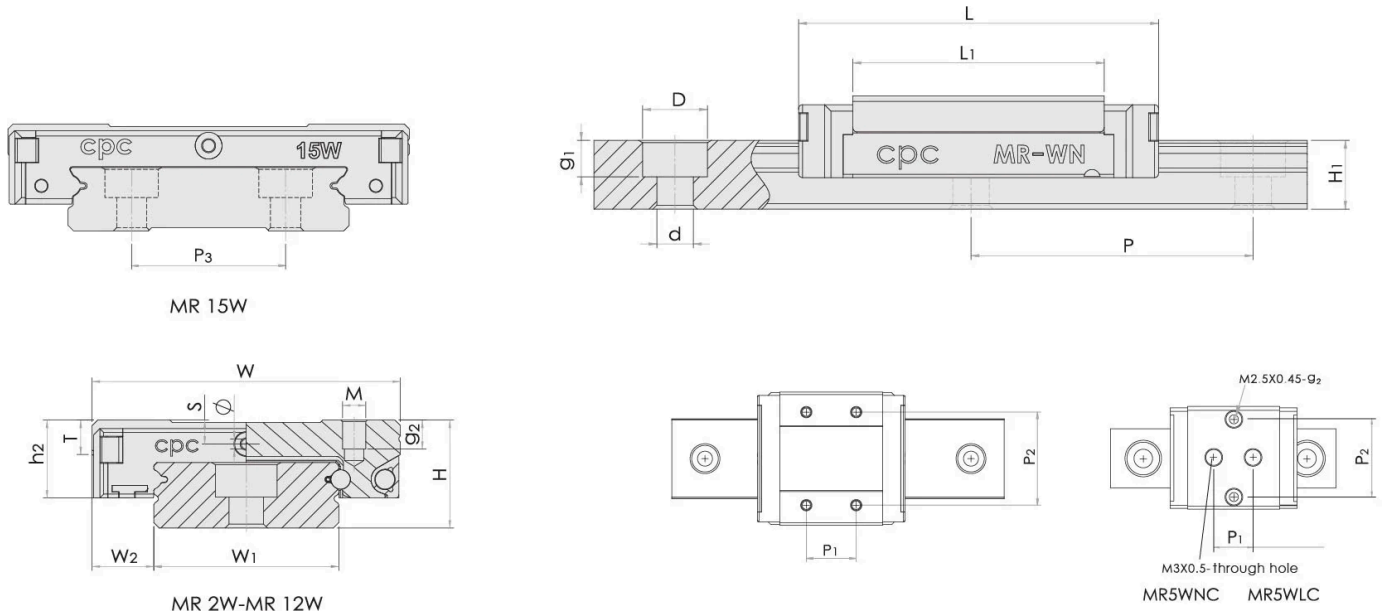
General Data



Designation	Dynamic Load Capacity C (N)	Static Load Capacity C0 (N)	Static Moment Mr0 (Nm)	Static Moment Mp0 (Nm)	Static Moment My0 (Nm)
MR2WL-SS	310	625	1.6	1.2	1.2
MR3WN-SS	280	530	1.6	0.9	0.9
MR3WL-SS	370	800	2.5	1.9	1.9
MR5WN-SS	475	900	4.6	2.2	2.2
MR5WL-SS	615	1315	6.8	4.1	4.1
MR7WN-SS	1180	2095	15	7.3	7.3
MR7WL-SS	1570	3140	22.65	14.9	14.9
MR9WN-SS	2030	3605	33.2	13.7	13.7
MR9WL-SS	2550	4990	45.9	26.7	26.7
MR12WN-SS	3065	5200	63.7	26.3	26.3
MR12WL-SS	4070	7800	95.6	56.4	56.4
MR15WN-SS	5065	8385	171.1	45.7	45.7
MR15WL-SS	6725	12580	257.6	93.1	93.1

Designation	Dynamic Moment Mr (Nm)	Dynamic Moment Mp (Nm)	Dynamic Moment My (Nm)	Weight Block (g)
MR2WL-SS	0.79	0.6	0.6	3
MR3WN-SS	0.85	0.48	0.48	3.4
MR3WL-SS	1.16	0.88	0.88	3.4
MR5WN-SS	2.4	1.16	1.16	6
MR5WL-SS	3.2	1.92	1.92	8
MR7WN-SS	8.4	4.1	4.1	19
MR7WL-SS	11.3	7.5	7.5	27
MR9WN-SS	18.7	7.7	7.7	37
MR9WL-SS	23.5	13.6	13.6	51
MR12WN-SS	37.5	15.5	15.5	65
MR12WL-SS	49.9	29.4	29.4	93
MR15WN-SS	103.4	27.6	27.6	137
MR15WL-SS	137.7	49.8	49.8	200

Dimensions



Designation	L	H	W	L1	H1	h2	W1	W2	S
MR2WL-SS	17.4	4	10	11.9	2.6	3	4	3	-
MR3WN-SS	15.3	4.5	12	10	2.7	3.9	6	3	0.8
MR3WL-SS	20.3	4.5	12	15.1	2.7	3.9	6	3	0.8
MR5WN-SS	21.4	6.5	17	15.1	4	5.1	10	3.5	1.2
MR5WL-SS	27.6	6.5	17	21.2	4	5.1	10	3.5	1.2
MR7WN-SS	31.9	9	25	21.2	5.2	7.1	14	5.5	1.9
MR7WL-SS	40.8	9	25	30.1	5.2	7.1	14	5.5	1.9
MR9WN-SS	39.4	12	30	27.9	7.3	8.9	18	6	2.6
MR9WL-SS	50.8	12	30	39.4	7.3	8.8	18	6	2.6
MR12WN-SS	44.9	14	40	31.1	8.5	10.3	24	8	3.1
MR12WL-SS	60	14	40	46	8.5	10.3	24	8	3.1
MR15WN-SS	55.7	16	60	38.5	9.5	12.3	42	9	3.3
MR15WL-SS	74.9	16	60	57.6	9.5	12.3	42	9	3.3

Designation	T	D x d x g1	Hole Pitch (P)	M x g2	P1	P2	P3	ø
MR2WL-SS	1.3	2.8 x 1.8 x 1.0	10	M2x1.3	6.5	-	-	-
MR3WN-SS	1.8	4 x 2.4 x 1.5	15	M2x1.4	4.5	-	-	0.3
MR3WL-SS	1.8	4 x 2.4 x 1.5	15	M2x1.4	8	-	-	0.3
MR5WN-SS	2.3	5.5 x 3 x 1.6	20	M2.5x1.5	6.5	13	-	0.9
MR5WL-SS	2.3	5.5 x 3 x 1.6	20	M2.5x1.5	11	13	-	0.9
MR7WN-SS	3.2	6 x 3.5 x 3.5	30	M3x3	10	19	-	1.1
MR7WL-SS	3.2	6 x 3.5 x 3.5	30	M3x3	19	19	-	1.1
MR9WN-SS	4	6 x 3.5 x 4.5	30	M3x3	12	21	-	1.3
MR9WL-SS	4	6 x 3.5 x 4.5	30	M3x3	24	23	-	1.3
MR12WN-SS	4.5	8 x 4.5 x 4.5	40	M3x3.5	15	28	-	1.4
MR12WL-SS	4.5	8 x 4.5 x 4.5	40	M3x3.5	28	28	-	1.4
MR15WN-SS	4.5	8 x 4.5 x 4.5	40	M4x4.5	20	45	23	1.9

Designation	T	D x d x g1	Hole Pitch (P)	M x g2	P1	P2	P3	∅
MR15WL-SS	4.5	8 x 4.5 x 4.5	40	M4x4.5	35	45	23	1.9